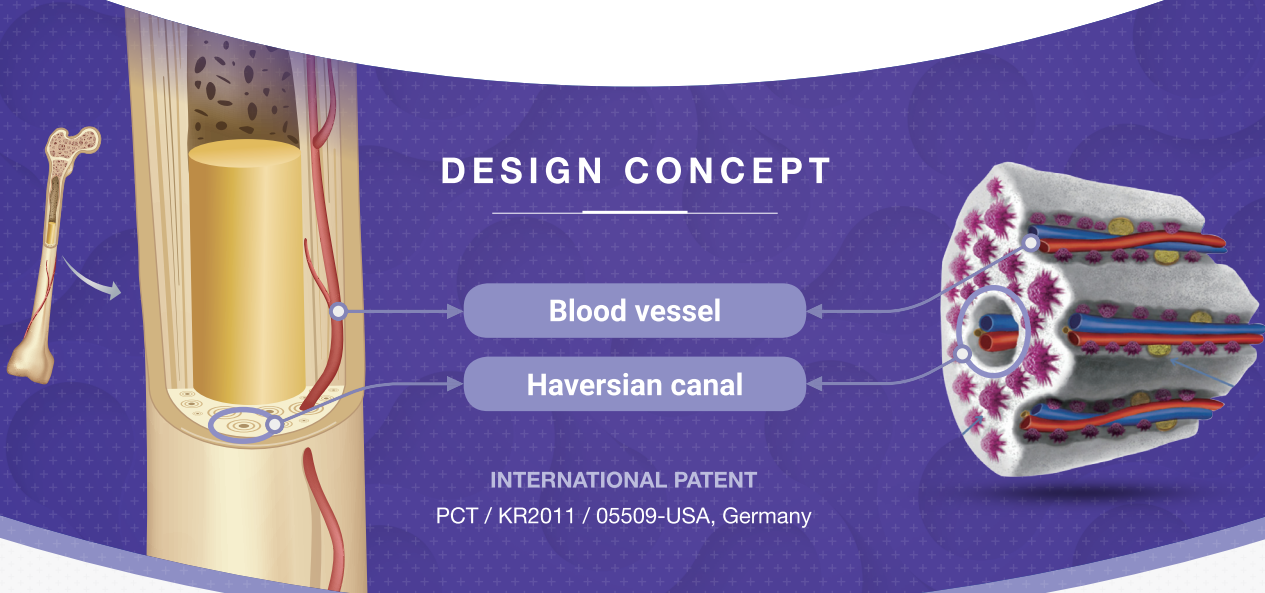


FRABONE[®]-W

A synthetic bone substitute in a block type made of micro-channelled biphasic calcium phosphate (BCP) granules mixed with HAp(60%) & β -TCP(40%) ratio.

※ **Free from virus infection & immune rejection**

DESIGN CONCEPT



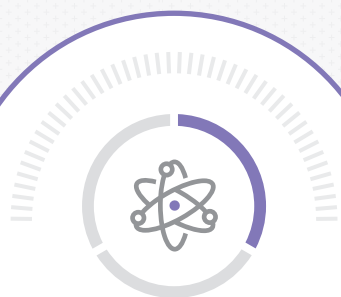
ADVANTAGES



Human Body Mimic Design

Similar to human bone in structure, strength & porosity

+



Stable Bone Regeneration

Haversian canals & micro / macro pores for angiogenesis and osteogenesis

+



High Biocompatibility

High purity and ideal ratio HAp & β -TCP (60/40) ratio

PRODUCT INFORMATION



Wedge

High Tibia Osteotomy
(HTO)



Truncated Cone

Total Knee Replacement
(TKR)

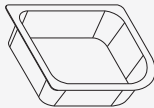



Triangle

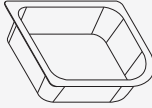
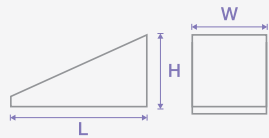
Foot & Ankle

ORDER INFORMATION

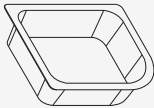

Wedge type

Product Code	Wedge Size (L x W x H, mm)
	
OWFBT	0745 35 x 45 x 7
	1045 35 x 45 x 10
	1345 35 x 45 x 13

Triangle type

Product Code	Wedge Size (L x W x H, mm)
	
OWFBT	07 30 x 15 x 07
OWFBT	10 30 x 15 x 10
OWFBT	12 30 x 15 x 12
OWFBT	15 30 x 15 x 15

Truncated cone type

Product Code	Wedge Size (d x D x H, mm)
	
OWFBT	1014 10.5 x 13.5 x 37